

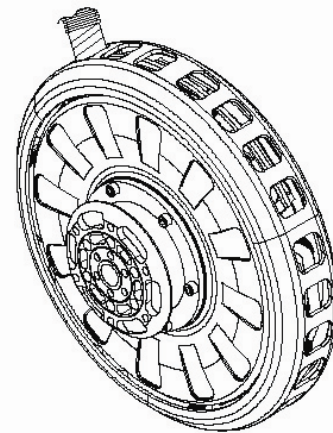


NuGen Mobility Inc.

SCM150-XXX Axial Flux, Brushless PM Motor



NuGen Mobility's SCM150 motor is ideal for small, direct drive electric vehicles where efficiency is key. The SCM150 motor can be driven as a 3-phase AC synchronous or DC brushless electric motor with advanced capabilities and superior efficiency.



Standard features include:

- *High Power Rare Earth Permanent Magnets*
- *Variable gap mechanism allows for torque constant to be changed on the fly.*
- *Ultra high efficiency*
- *Open motor design for improved thermal performance and reduced weight.*
- *Field proven -- Used by top finishers in Sunrayce 99, ASC 2001, ASC 2003, and ASC 2005*

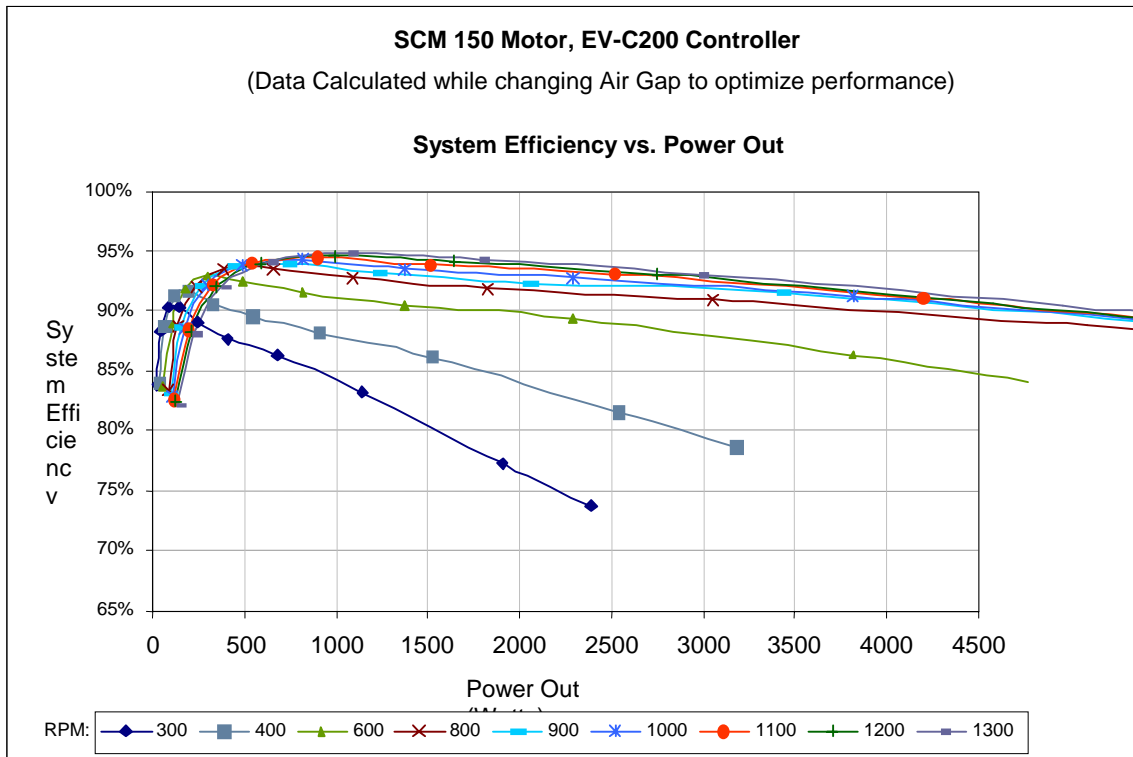
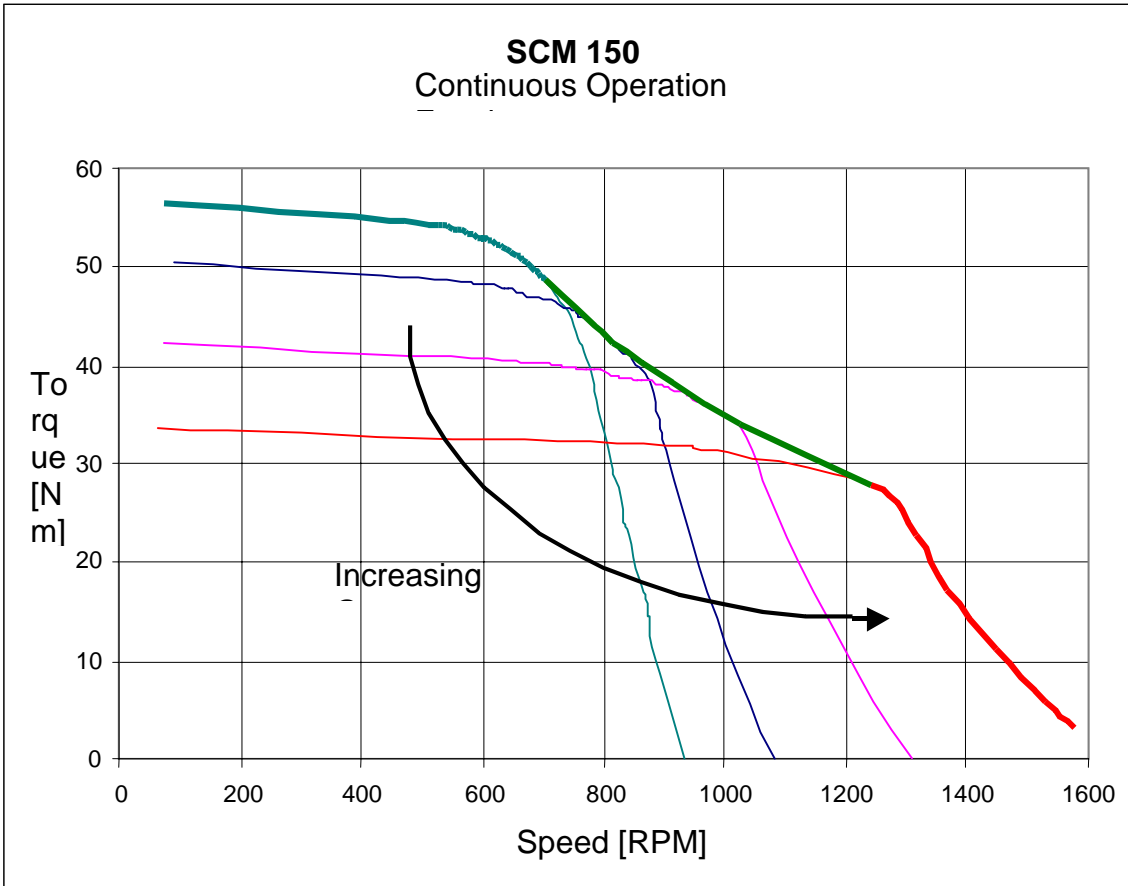
Specifications SCM150		
Peak Power	kW	7.5
Continuous Power @ V_{nom}	kW	3.75
Speed @ Peak Power	RPM	1300
No-Load Speed	RPM	1700
Peak Torque @ 125 ARMS	Nm	135
DC bus Voltage Nominal (V_{nom})	V	96 & 48
Weight	Kg	20

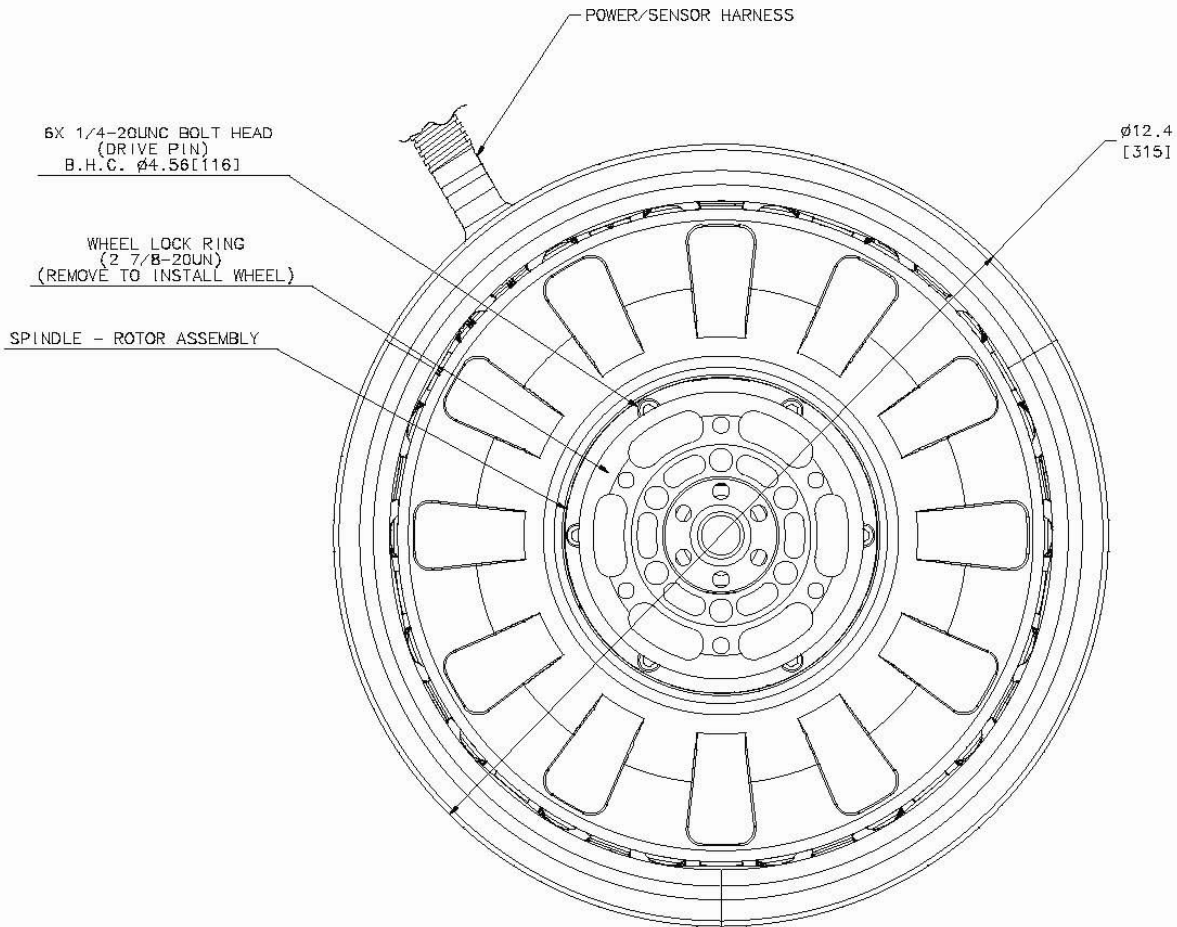
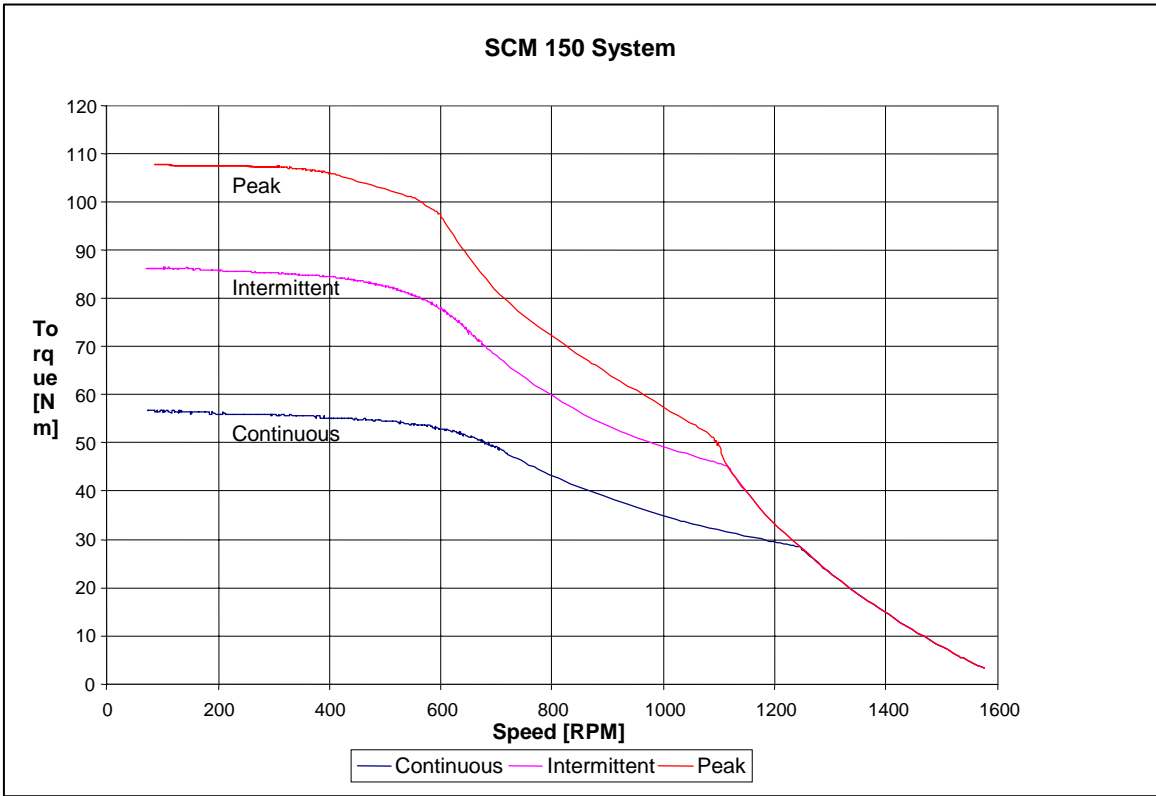
For more information, contact:

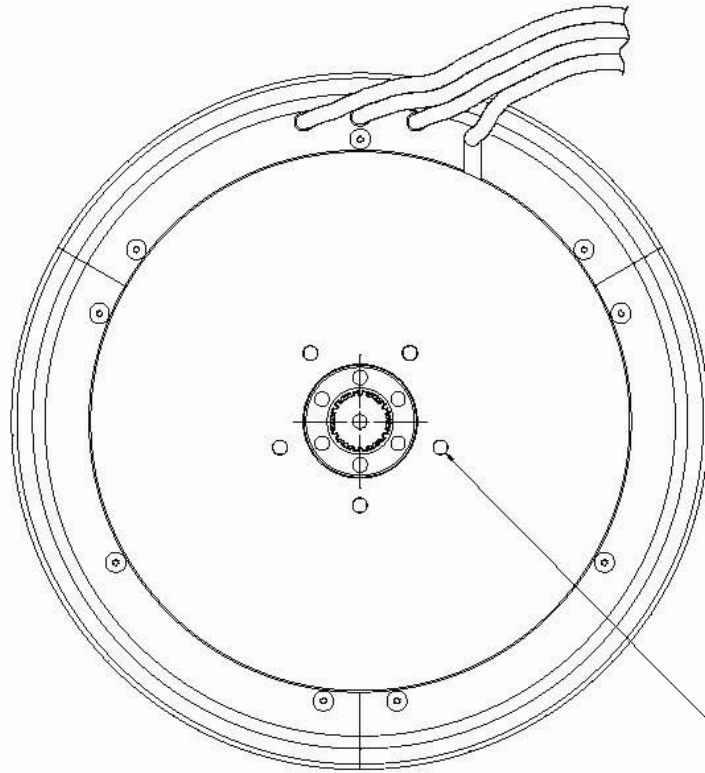
NuGen Mobility Inc.
44645 Guilford Drive, Suite 201
Ashburn, Virginia 20147
(703) 858-0036 (Voice)
(703) 858-0699 (Fax)

Email: info@ngmcorp.com

Specifications Subject to Change Without Notice







MOTOR MOUNTING INTERFACE
 5X 1/4-20UNC HELICAL INSERTS
 B.H.C. $\phi 5.00 \pm .01$ $\mp .450$
 EQUALLY SPACED AT 72°

